

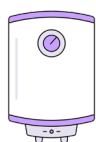
Indirect - Slimline Design

120 | 150 | 180 | 210 Litres

Mixergy slimline tanks are ideal when space is limited. Like our standard range, slimline tanks are available as indirect or direct variants, and as vented or unvented systems. The slimline range is available in sizes up to 210 litres.



- **Unique volumetric heating**
Only heat what you need - save up to 40% on hot water bills
- **Heat quicker**
Delivers hot water up to 10x faster than conventional tanks
- **Constant control**
The Mixergy App and control gauge show you how much hot water you have available at any time
- **Smart scheduling**
Build a schedule that ensures you always have enough hot water available
- **Voice control**
Control your Mixergy tank through your Alexa or Google Home device
- **Smart tariff ready**
Use dynamic time-of-use tariffs to provide cheap hot water in off-peak periods
- **Energy Savings Trust verified**
Independent verification that Mixergy tanks significantly reduce gas consumption, saving up to 21% on hot water bills



Indirect tanks are designed for use with gas or oil boilers, available as either a vented or unvented system



3kW Incoloy immersion heater for direct electric back-up and integration with smart electricity tariffs and solar PV



Heat pump ready, so you can easily connect to all makes and models of heat pump in the future



Easy connection to solar PV - either on installation or in the future



Manufactured in the UK

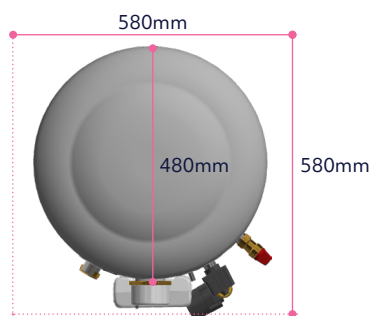
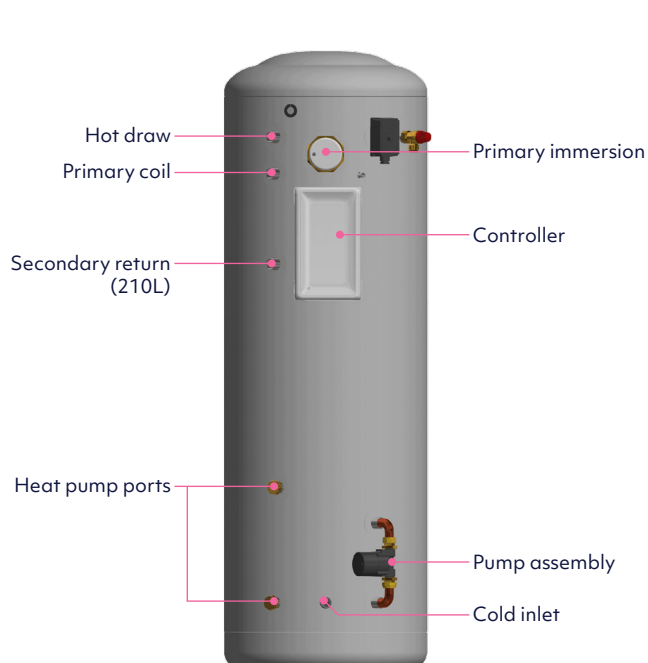


Technical Data

Model	120L	150L	180L	210L
Product code	MX-120-IND-47X	MX-150-IND-47X	MX-180-IND-47X	MX-210-IND-47X
Nominal capacity (litres)	120	150	180	210
ErP rating	C	C	C	C
Insulation thickness (mm)	50	50	50	50
Immersion heater rating (kW)	3	3	3	3
Height (mm)	1241	1429	1676	1992
Diameter (mm)	470	470	470	470
Weight empty (kg)	40	45	50	55
Weight full (kg) *	152	190	224	257
Coil rating (kW)	12	15	19	21
Standing heat loss ** (kWh/24h)	0.54-1.48	0.54-1.72	0.54-1.92	0.54-2.04
Standing loss (W)	50	68	69	73
Minimum reheat time (15-65 °C)	11 mins	11 mins	11 mins	11 mins
25% charge reheat time (15-65 °C)	11 mins	11 mins	11 mins	11 mins
70% charge reheat time (15-65 °C)	27 mins	27 mins	25 mins	26 mins
100% charge reheat time (15-65 °C)	38 mins	38 mins </td <td>36 mins</td> <td>38 mins</td>	36 mins	38 mins

* For cylinders with external heat exchanger fitted, add 5kg to the full cylinder weight

** Lower value represents losses at 25% total volume heated



The following components are supplied as standard:

- Unvented kit: pressure reducing valve, check valve, pressure & temperature relief valve, expansion relief valve, tundish and expansion vessel (including mounting bracket and 3/4" x 22mm adapters)
- 3 kW immersion heater(s) 1.3/4" BSP (fitted)
- High limit thermostat
- 2-port diverter valve V4043H1056
- Powerline to Ethernet adapter
- Ethernet cable
- User Guide

HERE TO HELP

For further information or technical assistance

01865 884343

enquiries@mixergy.co.uk

www.mixergy.co.uk

